



MICRO SWITCH

FREEPORT ILLINOIS
A DIVISION OF HONEYWELL

FED. MFG. CODE 91929

SWITCH-BASIC

CATALOG LISTING

BA-2RB-A4

CATALOG LISTING
BA-2RB-A4
PAGE 1 OF 1

REPLACES
RELEASE NO. SR 10799

DRAWING NUMBER
M

ISSUE
6

REVISIONS

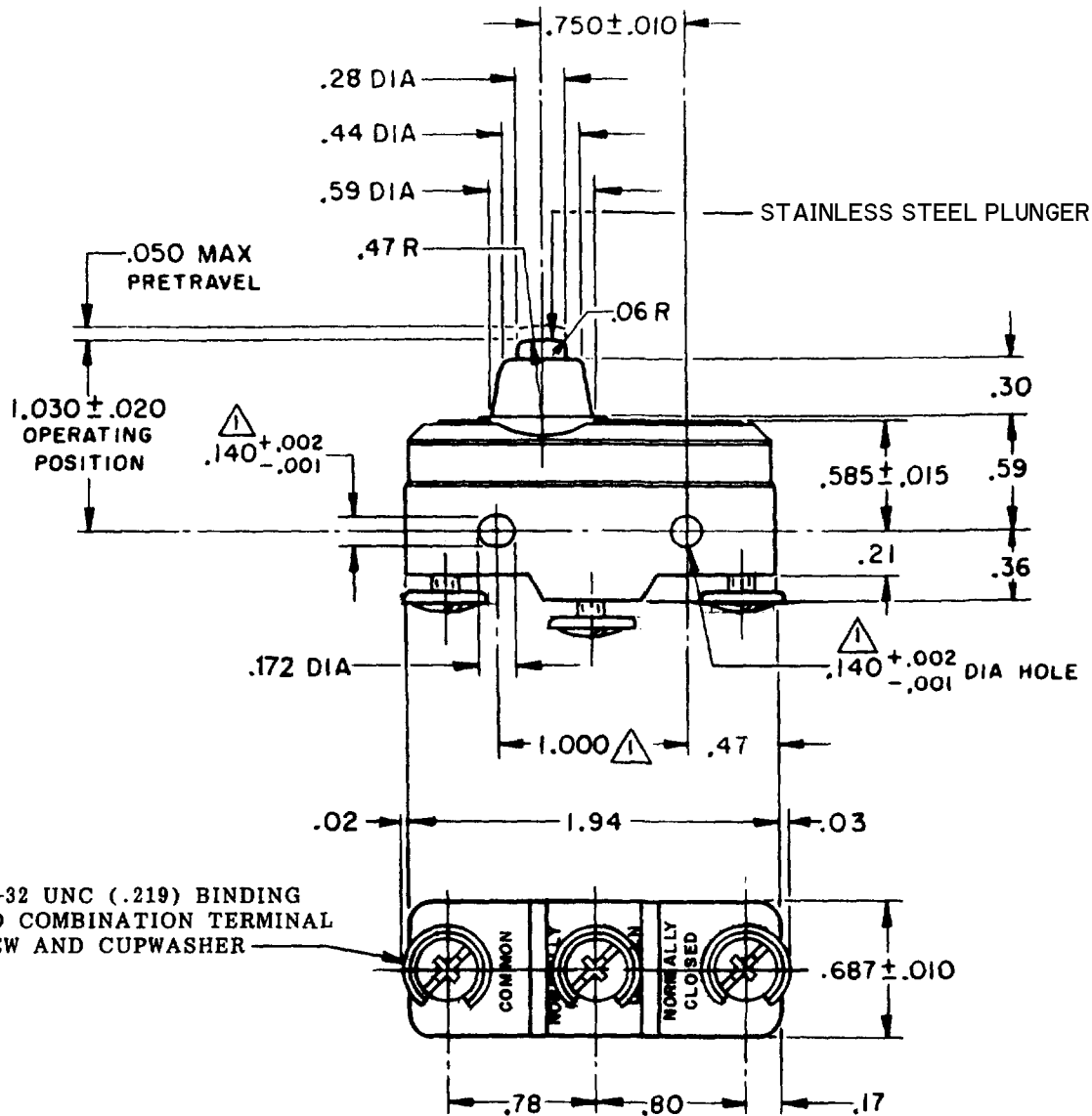
A	CO34310	14, Feb '63	CHECK
B	73287-G	20 OCT '63	CHECK
C	CO-77588	29 MAR '64	CHECK
D	CO93346	22 AUG '98	CHECK
E	CO-95750-B	29 MAR '00	CHECK

FORMTEK
FO-80378

DRAWN
M B F

CHECK
D A W

DATE
13 FEB 63



NOTE
 ▲ MOUNTING HOLES WILL ACCEPT PINS OR SCREWS OF .139 MAX DIA ON 1.000 ± .002 CENTERS

THIS DRAWING COVERS A PROPRIETARY ITEM AND IS THE PROPERTY OF MICRO SWITCH, A DIVISION OF MINNEAPOLIS-HONEYWELL REGULATOR CO. THIS DRAWING IS NOT TO BE COPIED OR USED WITHOUT THE APPROVAL OF MICRO SWITCH.

CHARACTERISTICS	ELECTRICAL DATA	SCALE FULL
OPERATING FORCE — — — — 14 — 22 OZ	CONTACT ARRANGEMENT S P D T	DO NOT SCALE PRINT
RELEASE FORCE — — — — 10 OZ MIN	UNDERWRITERS' LAB. INC. LISTED RATING 20A - 125, 250 OR 480 VAC 10A - 125 VAC "L" 1HP - 125 VAC, 2HP - 250 VAC 1/2A - 125 VDC, 1/4A - 250 VDC CE D SA 20(3)A 250V ~ T85 5E4	UNLESS OTHERWISE SPECIFIED DIMENSIONS ARE IN INCHES TOLERANCES ARE:
DIFFERENTIAL TRAVEL — — .0020 — .0075		ONE PLACE (.0) ± .030
OVERTRAVEL — — — — .094 MIN		TWO PLACE (.00) ± .015
		THREE PLACE (.000) ± .005
		ANGLES ±
		WEIGHT .064 LB